

## eClock 8"

Digital Punch  
Clock for real-time  
attendance  
Tracking  
with NFC  
technology, Wi-Fi  
and SIM 4G LTE



eClock is a **digital punch clock** that keeps pace with the latest technology, **designed to record** time and attendance and control personnel access in the company.

It's an **original**, fully cloud-based **time and attendance solution** that allows you to easily and instantly manage the entire attendance and absence process: **Time and Attendance, Access Control, Smart Working, Business Travel, Vacation and Time Off**, with their request workflows and approvals.

eClock **doesn't require any installation**, just a Wi-Fi connection or a data network: no infrastructure, installation or maintenance costs.

Suitable for locations without punch clocks, new stores, offices, warehouses, headquarters.

▶ It is compatible with your company's current attendance system or is part of the EcosAgile system

▶ NFC, Rfid technology Multi-language, with multiple active translations



#### BESIDES ACCESS CONTROL

eClock goes beyond the traditional punch clocks: it provides **digital attendance tracking** with a simple data connection, **access control synchronized** with the time management system, control of time anomalies by comparing the time profile realized by working hours, shifts and part-time, the possibility of managing **building security**.



#### MONEY SAVING

eClock doesn't require any installation costs, special skills or additional infrastructure. With eClock, the **cost reduction** compared to the traditional punch clock is **well over 70%**.



#### DATA AVAILABLE IN REAL TIME

Data management entirely in Italy, in full compliance with national and European regulations and with the implementation of the **highest security standards in the sector**. Data is transmitted in real time with the cloud-based system and is **always available and exportable**.



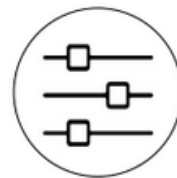
NFC SUPPORTED



4G LTE



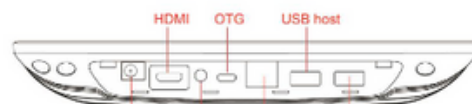
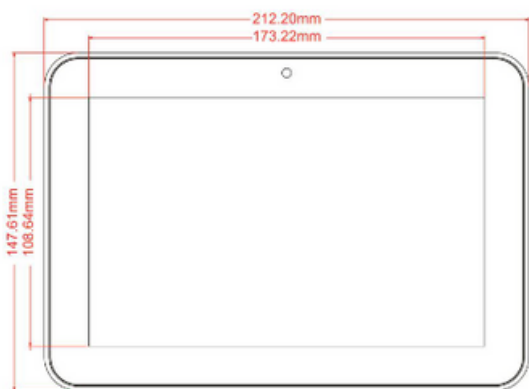
WiFi



HTTP/TCP INTERFACE

# Technical Specifications

Operating System	Android 10
Processor	Quad core cortex A17
Memory	2 GB RAM
Display	8" Touch Screen 1280 x 800 Resolution
Camera	2.0MP
Connection	Ethernet, WiFi, Bluetooth, SIM 4G LTE
Installation	Wall mount with metal bracket
Dimensions and Weight	21,20 x 14,76 x 3,10 cm - 0.55 KG
Power Supply	12V /1.5A Ethernet Interface with POE Capability: IPOE+
Card Reader	IC card reader (NFC)
Certification	CE



DC In Earphone RJ45 USB host



## Real-time QR code clocking. Attendance tracking, digital Wi-Fi and SIM access management.

Digital punch clock that keeps pace with the latest technology, designed to record time and attendance and control personnel access in the company.

**Innovative attendance tracking** that is simple, intuitive and completely cloud-based, providing instant management of the entire time and attendance process: **Time and Attendance, Access Control, Travel, Vacation and Leave**, with associated workflow requests and approvals.

It is activated **with no infrastructure or installation costs**, just a Wi-Fi connection, **4G LTE SIM**: no terminal, installation and maintenance costs.

Ideal for shops, institutions, offices, warehouses, corporate headquarters, manufacturing plants and healthcare facilities.

▶ Real-time integration with the EcosAgile **time management system**, including daily time card processing and periodic software updates.

▶ Multi-language QR code technology with multiple active translations



### QR CODE TIMING

The QR code is generated by the **APP** and **brought close** to the front screen of the device, enabling attendance tracking with the name and clock-in/out direction displayed on the top touchscreen.



### ACCESS MANAGEMENT

The device can be equipped with a single channel relay connected to automatic doors, turnstiles, gates, allowing the **management and control of personnel access**, with the door opening upon **recognition of the QR code** that the personnel present on their smartphone in front of the reader.

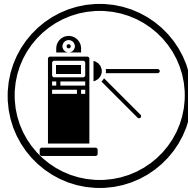


### NFC TIMING

Equipped with an **NFC reader on the front**, the device turns into a digital timeclock with **NFC RFID cards**.



QR CODE



DOOR OPENERS



NFC SUPPORTED



4G LTE

# Technical Specifications

Operating System

Android 8

Memory

1GB DDR, 8GB eMMC

Display

5-inch, 1280 \* 720

Printer

Paper 57mm \* 40mm

Connection

Ethernet / Wi-fi /  
Bluetooth / Sim Card 4G LTE

Peripheral ports

2 USB Host, 1 micro USB

Power Supply

9V / 2.5A

Battery

7.4V/2500mAh and Li-ion  
Autonomy up to 5 hours

External relay output

Relay 1 or 2 channels (Optional)

Dimensions

32 x 22 x 15 cm; 2kg

Floor stand

Silver-coloured metal

